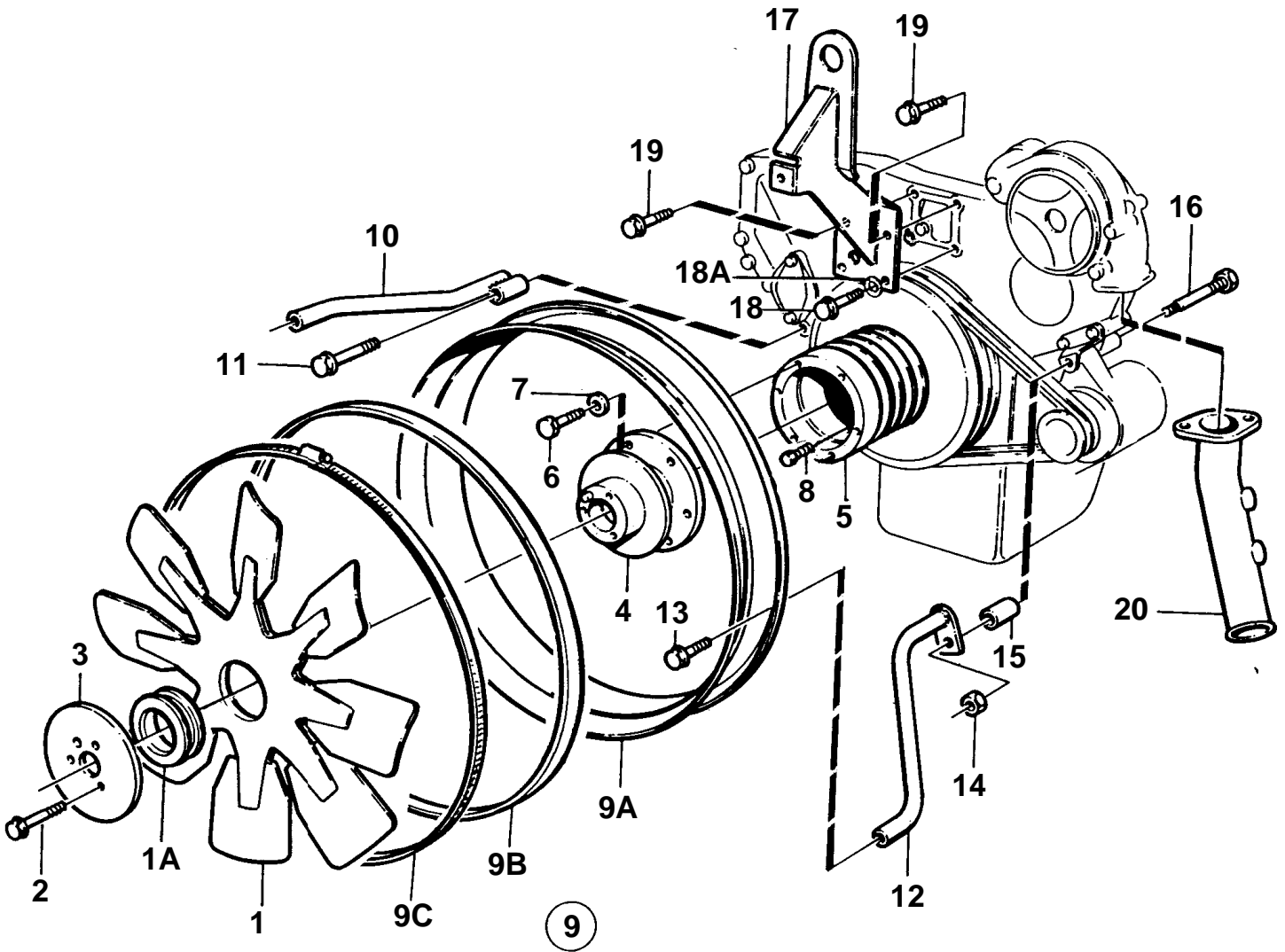


TD610M, TD630ME, TWD630ME, TD730ME, TWD730ME, TWD731ME



11591

TD610M, TD630ME, TWD630ME, TD730ME, TWD730ME, TWD731ME

REF	PART NO.	QTY	DESCRIPTION	NOTES
1	3828620	1	Fan	(1542830)
1A	1661363	1	· Spacer	
2	946473	3	Flange screw	
3	1674166	1	Washer	
4	1674165	1	Hub	
5	466493	1	Pulley	
6	940132	6	Screw	
7	941907	6	Spring washer	
8	471529	8	Screw	
9		1	Fan ring	
9A	6778467	1	· Fan ring	
9B	1676375	1	· Sealing strip	
9C	1544652	1	· Tensioning band	
10	849620	1	Anchorage	
11	965187	1	Screw	
12	849619	1	Anchorage	
13	946440	3	Flange screw	
14	971095	1	Nut	
15	836184	1	Spacer sleeve	Used when no alternator is mounted on left hand side.
16	847925	1	Screw	
17		1	Bracket	
18	946471	2	Screw	
18A	18666	2	Gasket	
19	965190	2	Screw	
20		1	Coolant pipe	